


1310nm 20mW DFB laser diodes| TO18 5.6mm LD

1310nm 20mw SM LD

WSLD-1310-020m-1-PD

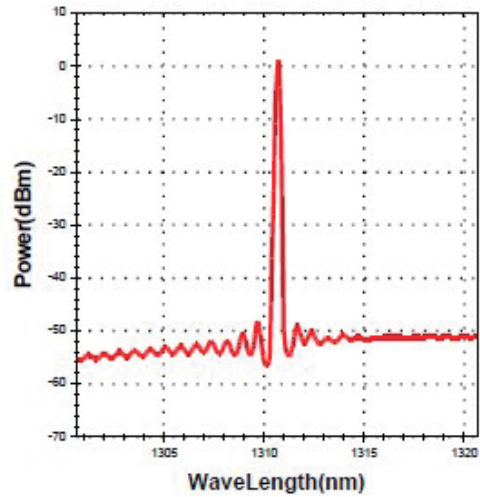
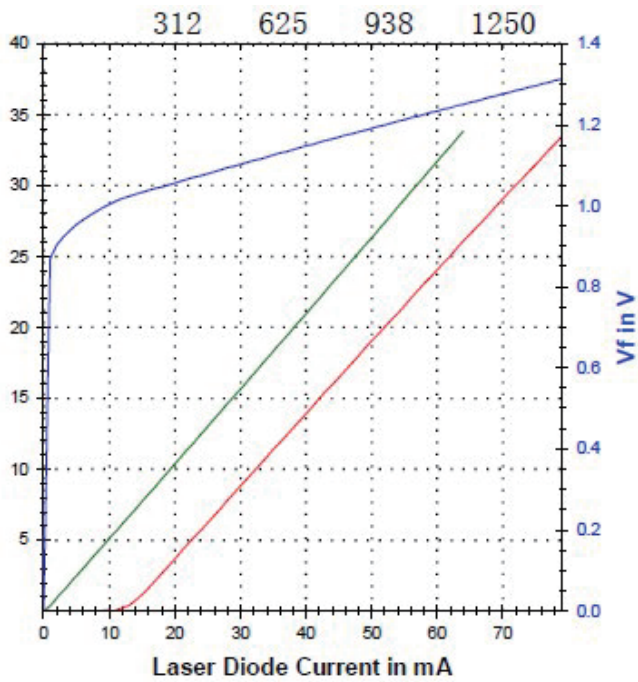
Wavespectrum laser inc.

www.wavespectrum-laser.com

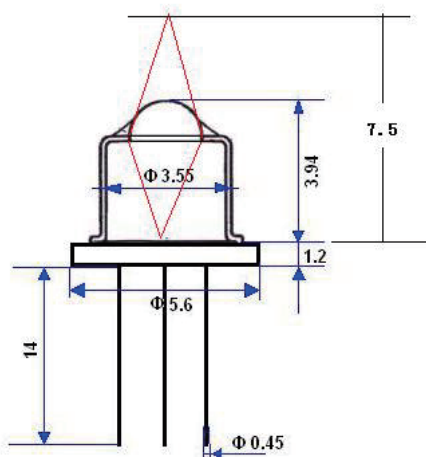
1310nm Laser Diode	20mw	single mode /DFB	Wavespectrum Laser, Inc
Reverse Voltage	V_r	2.0	V
Operating Temperature	T_{op}	-40~+40	°C
Storage Temperature	T_{stg}	-40 ~ +85	°C
Lead soldering temperature (10 sec.)	T_{is}	260	°C
Features: <ul style="list-style-type: none"> 1310nm Built-in PD DFB Single Mode TO18 package 			
Applications: <ul style="list-style-type: none"> Optical Fiber Communication Free-space Optical Communication 			
Specifications	WSLD-1310-020m-1-PD		
Center Wavelength@25°C	1310+/-5nm		
Spectral Width (FWHM)	≤0.3 (DFB)		
Output Power	20mw		
Laser Type	DFB		
Reverse current (PD) I_{rp}	2mA		
Reverse voltage (PD) V_{rp}	20V		
Beam Divergence (FWHM)	20° _⊥ x 9° _{//}		
Slope Efficiency	0.15mW/mA		
Threshold Current (Typ.)	≤30mA		
Operating Current (Typ.)	≤100mA		
Operating Voltage	≤1.8V		
Package Style	TO18		
Window Type	Flat Window (Optional)		
	Non-Spherical-Lens Window (standard)		

Modulation Frequency upto 2GHz

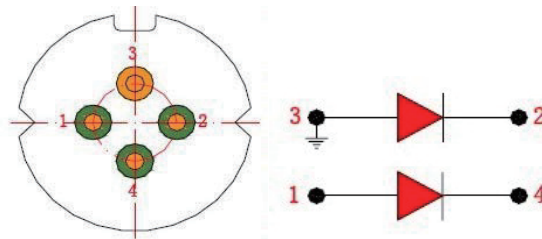
Data Curve



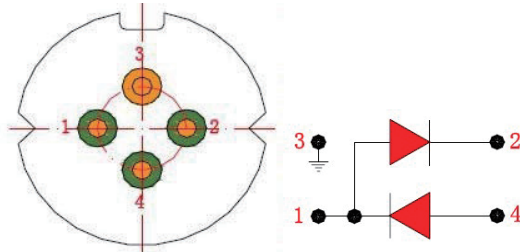
Package



Bottom View



A Type	1	PD(+)
	2	LD(-)
	3	LD(+)
	4	PD(-)



B Type	1	LD(+)&PD(-)
	2	LD(-)
	3	NC
	4	PD(+)

**Electrically shorten LD module and store in non-extreme conditions.
Suggest using the constant current power supply.**

