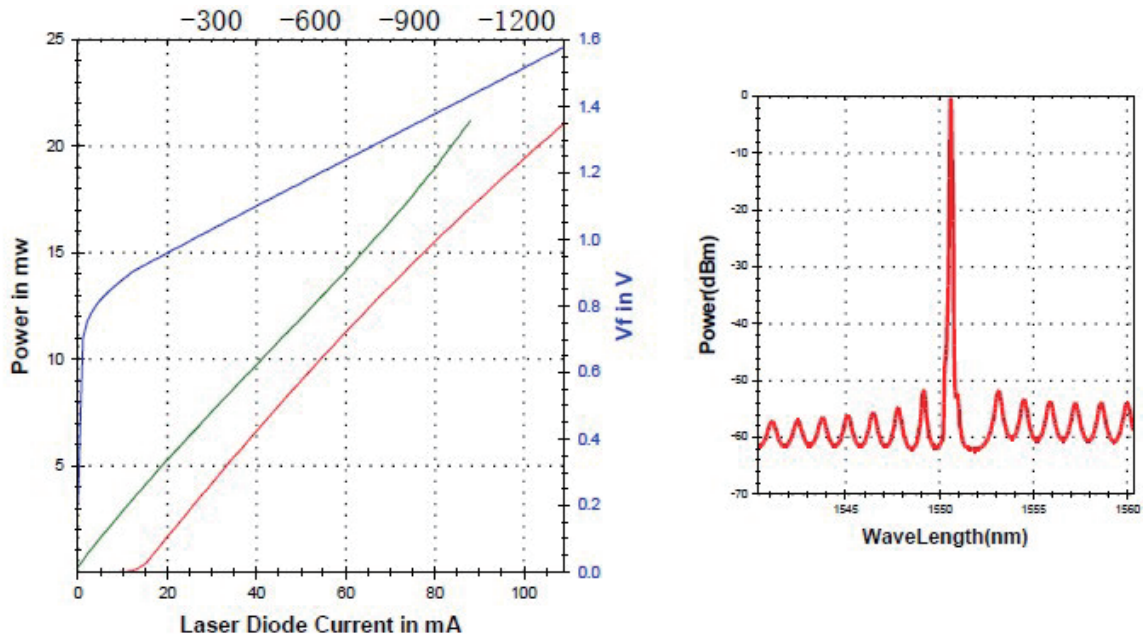


**1550nm 20mW DFB laser diodes| TO18 5.6mm LD**
**1550nm 20mw SM LD**
**WSLD-1550-020m-1-PD**
**Wavespectrum laser inc.**
**www.wavespectrum-laser.com**

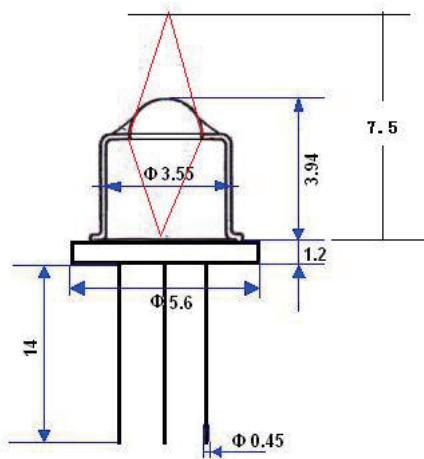
1550nm Laser Diode	20mw	single mode /DFB	Wavespectrum Laser, Inc
<b>Reverse Voltage</b>	<b>V<sub>r</sub></b>	<b>2.0</b>	<b>V</b>
<b>Operating Temperature</b>	<b>T<sub>op</sub></b>	<b>-40~+40</b>	<b>°C</b>
<b>Storage Temperature</b>	<b>T<sub>stg</sub></b>	<b>-40 ~ +85</b>	<b>°C</b>
<b>Lead soldering temperature (10 sec.)</b>	<b>T<sub>is</sub></b>	<b>260</b>	<b>°C</b>
<b>Features:</b> <ul style="list-style-type: none"> <li>● 1550nm</li> <li>● Built-in PD</li> <li>● DFB</li> <li>● <b>Single Mode</b></li> <li>● TO18 package</li> </ul>			
<b>Applications:</b> <ul style="list-style-type: none"> <li>● Optical Fiber Communication</li> <li>● Free-space Optical Communication</li> </ul>			
<b>Specifications</b>		<b>WSLD-1550-020m-1-PD</b>	
<b>Center Wavelength@25°C</b>	<b>1550+/-5nm</b>		
<b>Spectral Width (FWHM)</b>	<b>≤0.3 (DFB)</b>		
<b>Output Power</b>	<b>20mw</b>		
<b>Laser Type</b>	<b>DFB</b>		
<b>Reverse current (PD) I<sub>rp</sub></b>	<b>2mA</b>		
<b>Reverse voltage (PD) V<sub>rp</sub></b>	<b>20V</b>		
<b>Beam Divergence (FWHM)</b>	<b>20°<sub>⊥</sub> x 9°<sub>//</sub></b>		
<b>Slope Efficiency</b>	<b>0.15mW/mA</b>		
<b>Threshold Current (Typ.)</b>	<b>≤30mA</b>		
<b>Operating Current (Typ.)</b>	<b>≤100mA</b>		
<b>Operating Voltage</b>	<b>≤1.8V</b>		
<b>Package Style</b>	<b>TO18</b>		
<b>Window Type</b>	<b>Flat Window (Optional)</b>		
	<b>Non-Spherical-Lens Window (standard)</b>		

**Modulation Frequency upto 2GHz**

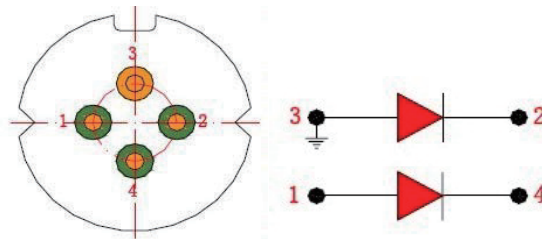
### Data Curve



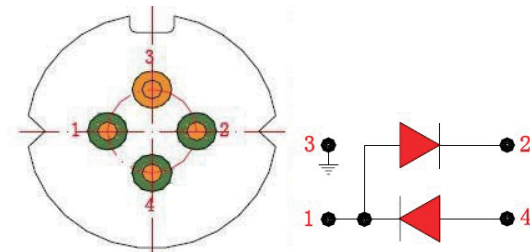
### Package



**Bottom View**



<b>A Type</b>	1	PD(+)
	2	LD(-)
	3	LD(+)
	4	PD(-)



<b>B Type</b>	1	LD(+)&PD(-)
	2	LD(-)
	3	NC
	4	PD(+)

**Electrically shorten LD module and store in non-extreme conditions.  
Suggest using the constant current power supply.**

